

VALOR FIRES

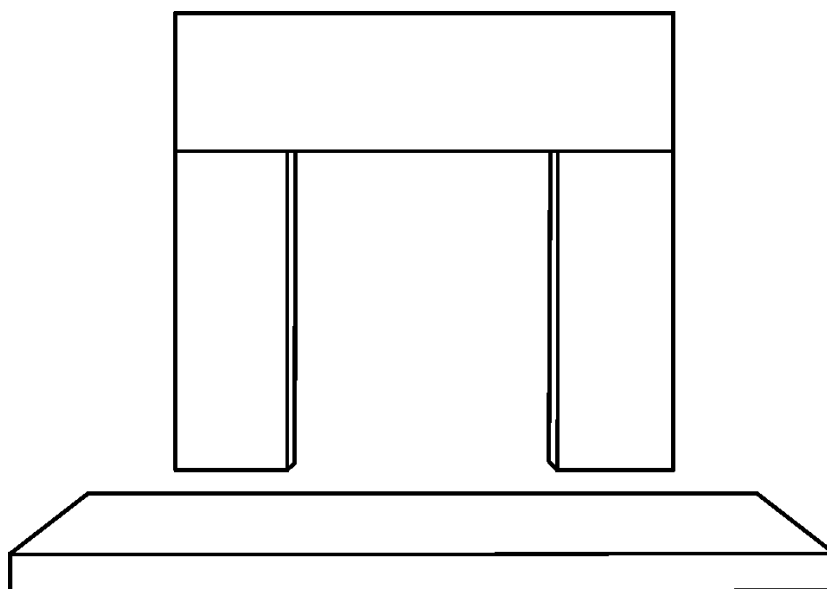
INSTALLATION GUIDE

 **Solo-pro** marble™

Or

 **Solo-pro** granite™

Hearth and Back Panel Set



IMPORTANT: Not for use with flue-less or balanced flue appliances.

This guide should be read in conjunction with the installer and owner guides supplied with the heater / fire.

This guide is intended to help you install your Solo-pro Marble / Granite Hearth and Back Panel set. Please read carefully before installing. However, if further information is required, our

Valor Fires Technical Helpline will be pleased to help.

Telephone **0844 8711 565** (National call rates apply in the United Kingdom)

In the Republic of Ireland call **0044 844 8711 565**.

Important: Please keep your guide in a safe place for future reference

INSTALLATION GUIDE

© Baxi Heating U.K. Limited 2011.

All rights reserved. No part of this publication may be reproduced in any material form (including photocopying), stored in any medium by electronic means (including in any retrieval system or database) or transmitted, in any form or by any means, whether electronic, mechanical, recording or otherwise, without the prior written permission of the copyright owner.

Applications for the copyright owner's permission to reproduce any part of this publication should be made, giving details of the proposed use, to the following address: The Company Secretary, Baxi Heating UK Limited, Brooks House, Coventry Road, Warwick, CV34 4LL

Warning: Any person who does any unauthorised act in relation to a copyright work may be liable to criminal prosecution and civil claims for damages.

VALOR FIRES

Valor Fires, Erdington, Birmingham B24 9QP
www.firesandstoves.co.uk

Because our policy is one of constant development and improvement, details may vary slightly from those given in this publication.

INSTALLATION GUIDE

INTRODUCTION

Solo-pro - For real stone beauty you can fit yourself.

Real stone fireplaces undeniably look beautiful, but they are heavy and require expensive specialist fitting to achieve the best look.

But today, thanks to the Solo-pro innovation, you can have the best of both worlds;

Using a revolutionary new technique, Solo-pro uses a micromarble or granite veneer bonded to an aluminium frame to dramatically reduce the weight of the panels while at the same time strengthening and making it more resilient.

These benefits ensure that the products are easily transportable in a car and the weight can generally be managed by a single person. With basic DIY skills the fireplace can be installed and once in place, there is nothing to distinguish the fireplace from a solid stone fireplace, with its stunning looks and cool-to-touch feel of real stone.

All natural stone has a unique composition that reflects the geological conditions present when it was formed. This can take the form of veins, fissures, variations of graining, random pitting, fossil marking, open veins which may have required filling or reinforcing, and variations in colour and shading. These are all characteristics of a natural product and should be regarded as a feature of the stone.

This natural variation means that colour matching cannot always be guaranteed to samples, and as the porous nature of the material is also affected, although resistant to some stains, Solo-pro cannot be guaranteed against staining under all circumstances.

Therefore for peace of mind it is recommended that the surfaces be treated at the earliest opportunity with an impregnating marble sealant obtainable from a DIY or tile merchant. This will improve the resistance but the marble should not be considered stain proof and we would still recommend that spills are mopped up as quickly as possible.

INSTALLATION GUIDE

SAFETY

- Keep children clear of work area especially when assembling or moving the hearth and back panel assembly.
- Always read the installer and owner guide supplied with the heater / fire. This guide should be read in conjunction with those supplied with the heater / fire.
- Always tidy loose electrical leads in the work area.
- Always switch off electric power when not needed.
- The back panel must always be fixed into position.

HANDLING AND UNPACKING

Before continuing any further with the installation of this hearth and back panel please read the following:

Important instructions.

- The lifting weights of the hearth and back panel pieces are as below:

Hearth	11.77 kg.
Back panel sides	2.63 kg.each
Back panel top	7.24 kg.

- One person should be sufficient to lift the hearth or back panel assembly. If for any reason this weight is considered too heavy then obtain assistance.
- When lifting always keep your back straight. Bend your legs and not your back.
- Avoid twisting at the waist. It is better to reposition your feet.
- Avoid upper body / top heavy bending. Always bend from the knees rather than the waist. Do not lean forward or sideways whilst handling.
- Always grip with the palm of the hand. Do not use the tips of fingers for support.
- Always keep the hearth or back panel assembly as close to the body as possible. This will minimise the cantilever action.
- Use gloves to provide additional grip.
- Always use assistance if required.

INSTALLATION GUIDE

CONTENTS

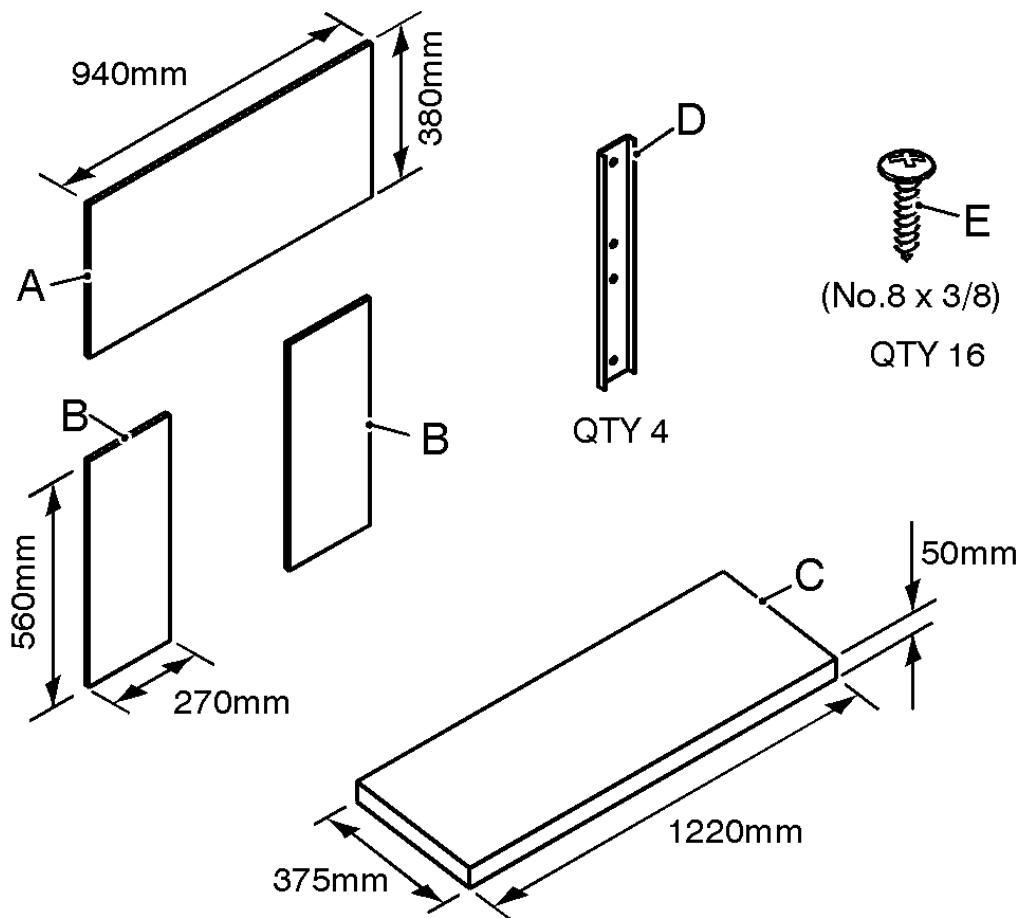


Figure 1. Contents (Items are not to scale. Any components extra to those above can be discarded).

ASSEMBLING THE SURROUND AND HEARTH

The installation of this hearth and back panel requires a reasonable level of DIY skills.

Please read this guide thoroughly before commencing installation and if in doubt, seek help from a competent person.

Do I need any tools?

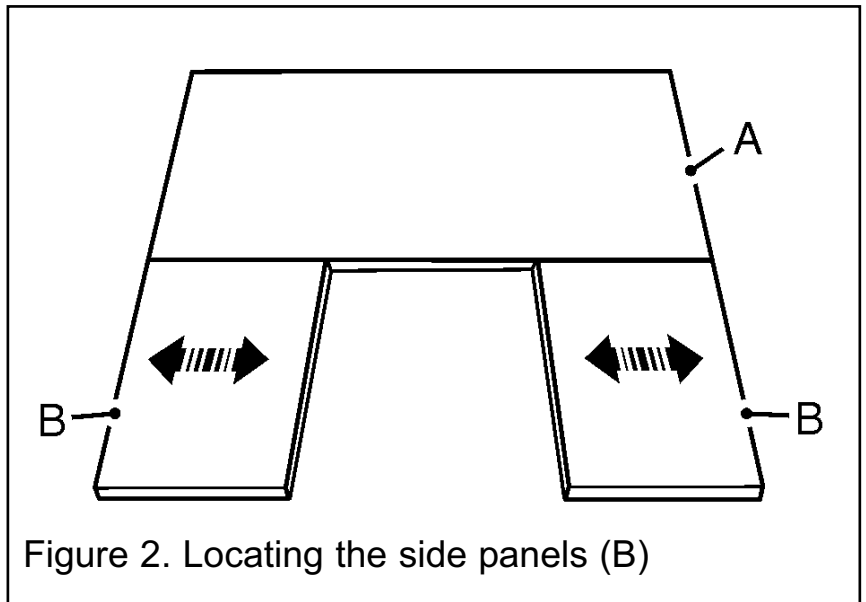
You will need the following tools :

- A Pozidrive / Phillips / cross head screwdriver. This should have a number 2 size tip.
- A spirit level
- Fire cement or other suitable adhesive.

INSTALLATION GUIDE

How to assemble the Back panel.

- Lay the top panel (A) decorative face down onto a smooth, flat, clean surface. If laying onto hard floors then use cardboard or similar protection to prevent damage to the decorative face. Place side panels (B) decorative face down as in figure 2. In most cases the side panels can be fitted so that the outer edges line up with the outside edge of the top panel. The side panels can be moved to allow for wider or narrower openings.
- Locate the fixing plates over the joints between the side and top panels. Ensure enough clearance is left for mantle legs etc.
- Secure using all screws (E) supplied.

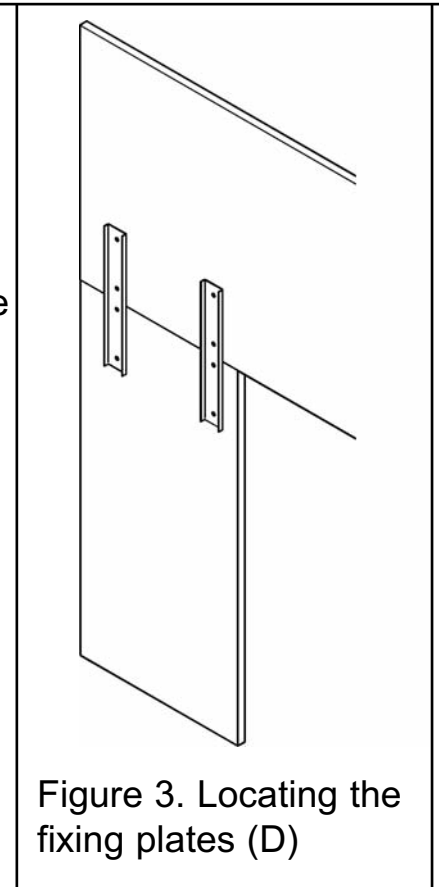


Locating the Hearth.

- Place the Hearth (C) centrally across the fireplace opening. The back of the hearth is labelled. Ensure that the hearth is level using a spirit level (A mortar bed may be used to achieve a level hearth).

Fixing the Back panel assembly to the wall.

- Pick up the back panel assembly with a slow, smooth action. This will avoid straining and bending the fixing plates.
- Locate the back panel against the wall ensuring that it is central.
- Locate your mantle in place following the manufacturers instructions.
- With the mantle secured, bring the back panel forward to meet the return of the mantle. Any gap between the back panel and wall can be bridged and sealed using fire cement or other suitable back panel adhesive. Always seal the gap between the back panel and wall.



INSTALLATION GUIDE

Caring for your Hearth and Back Panel.

- DO wipe any spills off immediately to limit possibility of staining.
- DO clean regularly with a soft damp cloth.
- DO NOT use abrasive cleaners.
- DO NOT allow any acids or oils to come in contact with the marble or Granite (This includes cleaning solutions, vinegar, lemon juice, candle wax etc.).
- DO NOT allow prolonged exposure to water.

If you require further assistance, the **Valor Fires Technical Helpline** will be pleased to help.

Please telephone **0844 8711 565** (local rates apply in the United Kingdom). In the Republic of Ireland please telephone **0044 844 8711 565**.

VALOR FIRES